



THE AIRPLANE FACTORY (Pty) Ltd
Registration no 2002/022837/07
Approved Maintenance Organisation AMO1264
Manufacturing Organisation M677

Hangar 8 Tedderfield Airpark
Nettleton Road Eikenhof
Johannesburg 1872
South Africa

PO Box 308
Eikenhof
Johannesburg 1872
South Africa

[T]+27 (0) 11 948 9898
[F]+27 (0) 86 632 4493
sales@airplaneactory.co.za
www.airplaneactory.co.za

NOTIFICATION

#0007

Page 1 of 1

(The Airplane Factory (Pty) Ltd. considers compliance with all Notification mandatory)

RELEASE DATE: 7 May 2019

EFFECTIVE DATE: 7 May 2019

SUBJECT: Modification of air filter housing

MODELS AFFECTED: All Sling aircraft fitted with a Rotax 912ULS engine

COMPLIANCE TIME: If/when the K&N air filter (Part number 33-2673) is replaced

DESCRIPTION AND PURPOSE:

K&N modified the design of their air filter (Part number 33-2673) which is used on Rotax 912ULS engines. This resulted in the filter not fitting correctly into the air filter housing (Part number FF-CMP-004-C-A-0). A new K&N air filter (Part number 33-2931) has been sourced that better conforms to the dimensions of the air filter housing. However, its installation requires modifications to be made to the housing.

PARTS AND CONSUMABLES LIST:

- a) 4 x (4 x 10 mm) aluminium sealed rivets
- b) 1 x FF-BKT-024-C-A-0 (912 ULS Air Filter Bracket)
- c) 2 x M6 nyloc nuts

TOOLS REQUIRED:

- a) Electric or air powered drill
- b) 4 mm dia. drill bit
- c) 4 mm pin punch
- d) Hammer
- e) Abrasive tool (for example angle grinder, sanding block or flat file)
- f) 10 mm spanner
- g) Philips screwdriver
- h) Rivet gun

INSTRUCTIONS:

1. Loosen the latches on either side of the air filter housing lid to remove it.

Directors M Blyth, A Pitman, J Pitman

- Remove the air filter housing from the engine by removing the clear breather pipes from the carburettor, the M6 nyloc nuts at the rubber mounts and loosening the 40 – 60 mm hose clamps as shown in Figure 1.

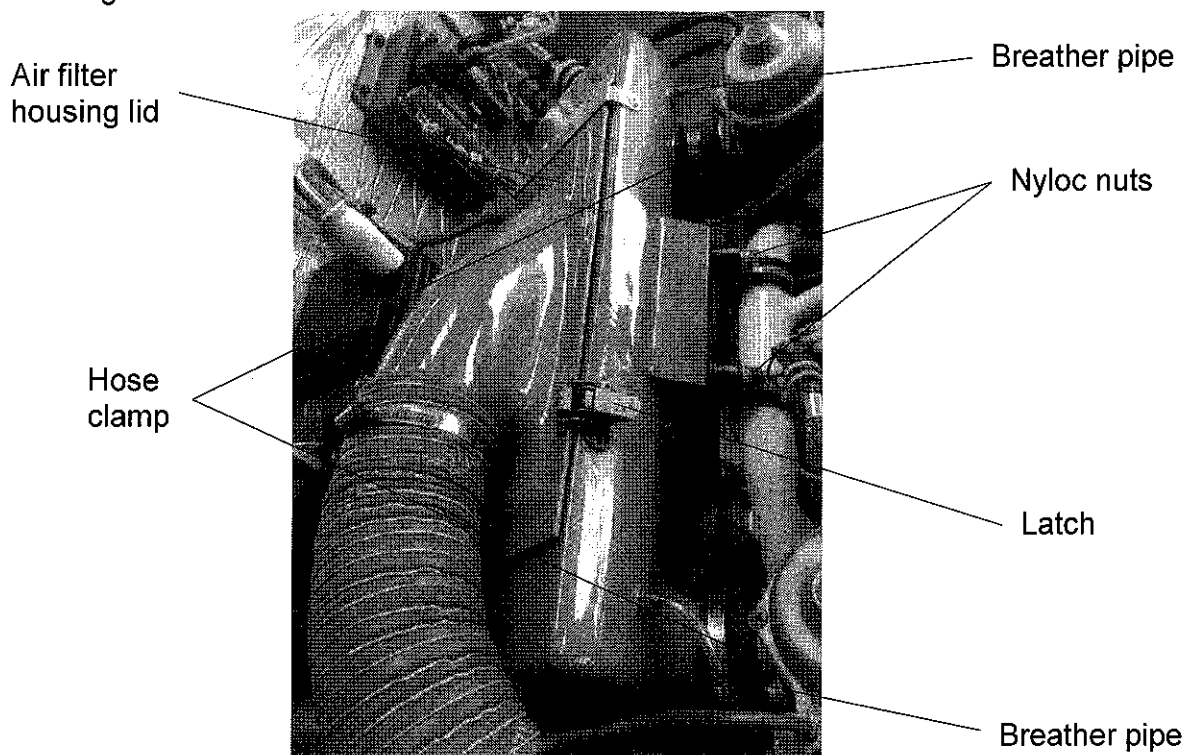


Figure 1: Removal of air filter housing

- Remove the four (4) rivets that attach the airbox bracket to the filter housing by drilling the rivet heads off and punching the stems out with the 4 mm pin punch.
- Trim the rectangular opening of the housing where the filter is fitted with the abrasive tool to dimensions specified in Figure 2. The dimensions indicated in Figure 2 are in **millimetres**.
- Fit the new bracket (FF-BKT-024-C-A-0) under the existing airbox bracket as shown in Figure 3.
- Secure both brackets by replacing the four (4) drilled out rivets with 4 x 10 mm aluminium sealed rivets.
- Clean the inside of the air filter housing, ensuring all debris is removed.
- To refit the air filter housing on the engine, replace with new M6 nyloc nuts, tighten the hose clamps and fit the clear breather pipes as indicated in Figure 1. The air filter housing lid may be secured with the latches once the new air filter is installed.

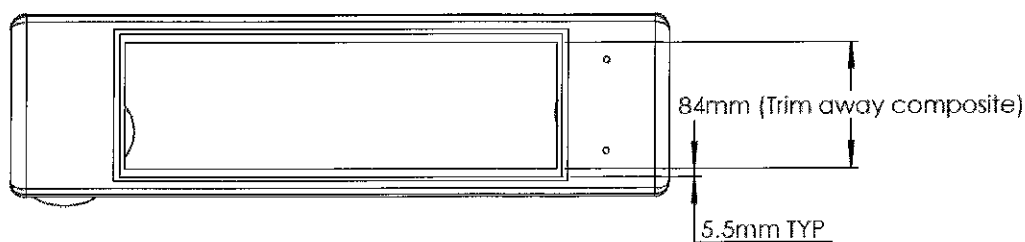


Figure 2: Trimming requirements of housing

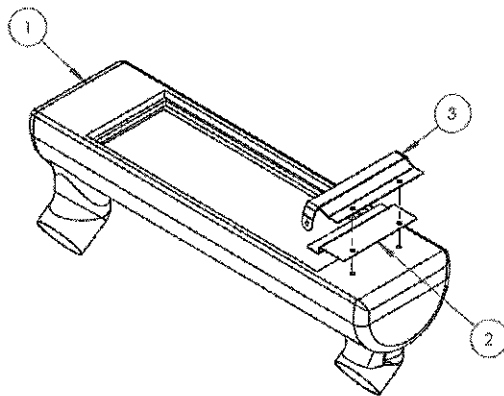


Figure 3: Air filter brackets

ITEM NO.	QTY	PART NUMBER	DESCRIPTION
1	1	FF-CMP-004-C-A-0	Air filter housing, 912 ULS
2	1	FF-BKT-024-C-A-0	912 ULS Air Filter Bracket
3	1	FF-BKT-010-X-A-1	Rotax 912 ULS Airbox Bracket

Notes:

- (1) These alterations apply ONLY if a new K&N 33-2931 air filter is purchased.
- (2) It must be emphasised that sealed rivets are used because their sealed off ends can catch the mandrel base if it comes loose. This prevents rivet fragments from entering the engine intake.

Signed on this the 7th day of May 2019

Yours truly,

**ANDREW PITMAN
ACCOUNTABLE MANAGER
MANUFACTURING ORGANISATION M677**